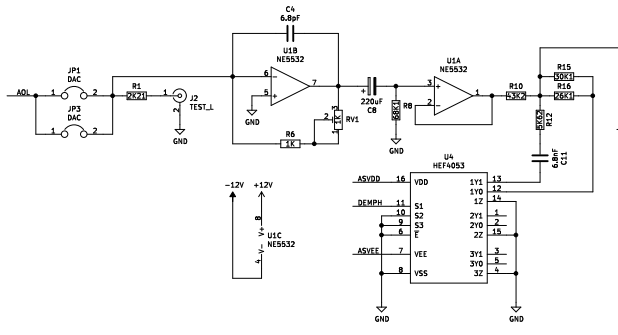
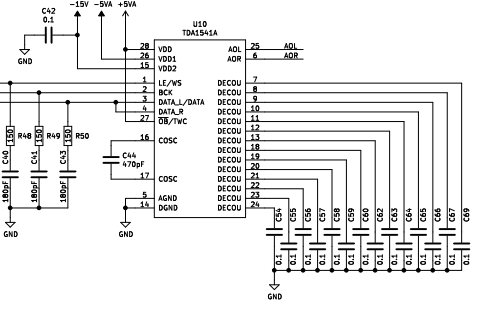
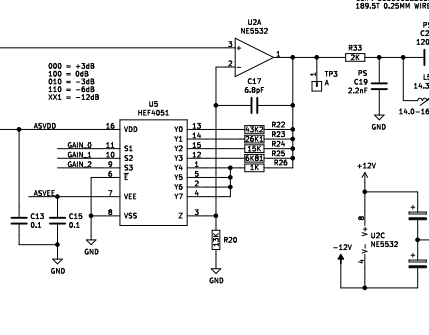


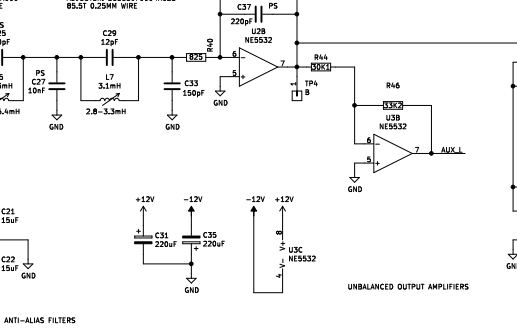
NOTE: TARGET OUTPUT: -5.2V  
NOTE: OUTPUT CAPACITORS WITH EXCESSIVELY LOW ESR MAY CAUSE SELF OSCILLATION. SEE REGULATOR DATASHEET.



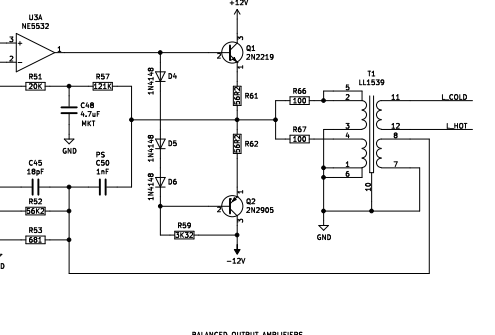
DAC PRE-AMPLIFIERS



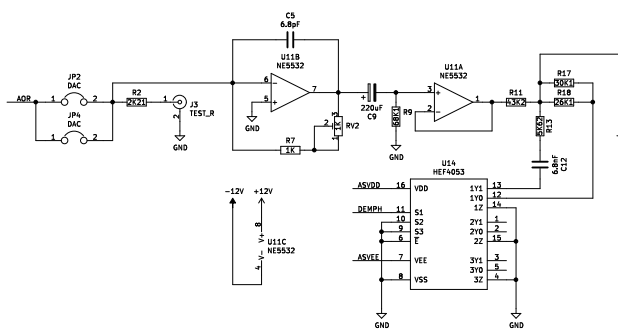
DIGITAL GAIN CONTROL



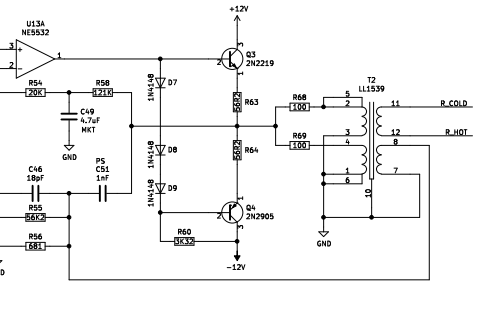
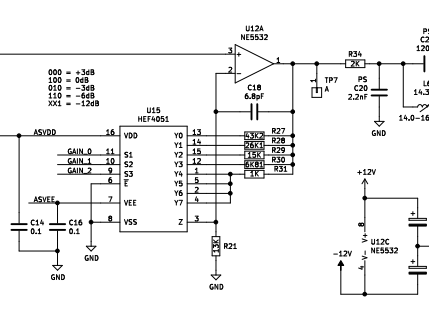
ANTI-ALIAS FILTERS



UNBALANCED OUTPUT AMPLIFIERS



DE-EMPHASIS CONTROL  
DENPH=D: DE-EMPHASIS OFF



BALANCED OUTPUT AMPLIFIERS

NOTE: Filters designed for 15 KHz NICAM System.  
May need adaptation for CD playback.  
Matthew Milman  
Sheet: /  
File: audio\_outsch  
**Title: FM5688 Audio Output**  
Size: 42  
Date: / /  
Rev: 1/1  
Kicad E.D.A. Kicad (5.1.10)-1